

SOLAR POWERED

Wave Style Metal and Glass

Post Cap, Fence and Deck Lights

Light up your deck or fence

Model #:

41481/41681/41781/41981

2-Pack

ASSEMBLY & OPERATING INSTRUCTIONS



IMPORTANT: READ ALL INSTRUCTIONS CAREFULLY BEFORE USE

ABOUT YOUR SOLAR POWERED METAL AND GLASS POST CAP LIGHTS

Your MAXSA Solar Powered Metal and Glass Post Cap Lights convert sunlight into electricity during the day, enabling the 2 LED lights to turn on automatically at night. These Post Cap Lights are perfect for lighting post tops, deck railings and fences to provide illumination and help reduce falls and tripping. They are solar powered. The included rechargeable batteries are powered each day by the sun to allow the Post Cap Lights to illuminate your deck or fence at night.

Your Solar Powered Post Cap Lights can stay lit for up to 8 hours when the batteries are fully charged by 8 hours of sunlight. The included sealed rechargeable 3.2V 200 mAh AA Lithium-ion batteries should last for at least 2 years before they need to be replaced.

INCLUDED PARTS:



2 Post Cap Lights
with Integrated Solar
Panels



2 Adaptors for 4"x4"
Posts



8 Screws

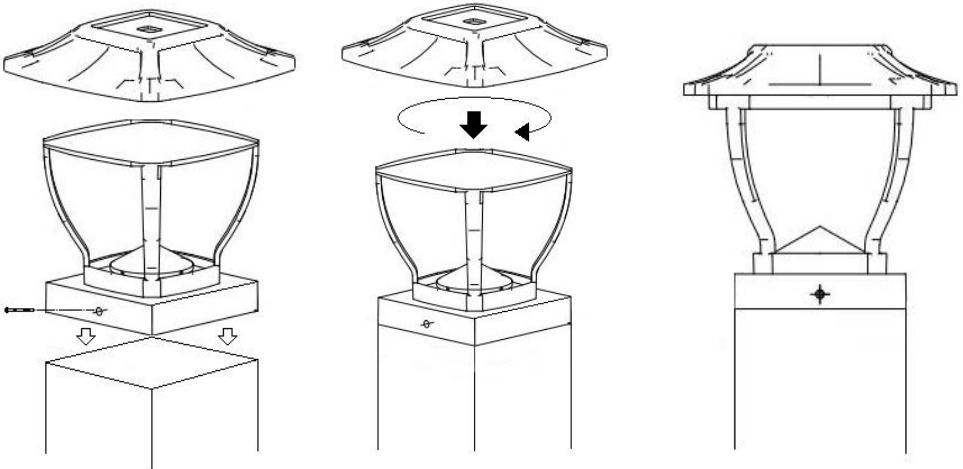
CHOOSING A LOCATION

Your MAXSA Solar Powered Metal and Glass Post Cap Lights are designed for either 4x4-inch wood or vinyl fence and deck posts; The included adapter can be used to mount them on 4x4-inch vinyl posts. The lights can also sit on a deck railing. Your Solar Powered Post Cap Lights come complete with built-in solar panels and rechargeable batteries. For optimum sun exposure and longer light output, place the Solar Post Cap Lights where they receive 6-8 hours of direct sunlight per day. Placing the lights in a shaded location keeps the batteries from charging fully and reduces the number of hours the lights operate each evening.

Each Solar Powered Post Cap Light is equipped with a light-sensitive trigger to automatically turn the light on at dusk. For best performance, ensure that the Post Cap Light is not placed near nighttime light sources such as porch lighting and street lighting. To initially activate the light, pull the tab attached to the battery. Your light will automatically activate when it gets dark enough.

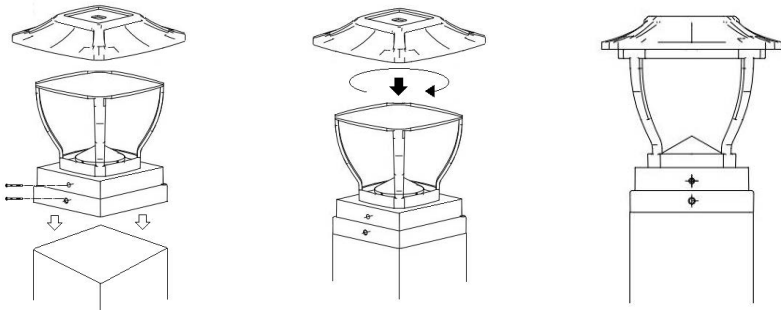
HOW TO INSTALL ON A STANDARD 4" X 4" POST

1. Hold the glass with one hand and twist the top counterclockwise and lift off.
2. Mount fixture onto Post with included screws.
3. Pull tab out of battery compartment. Replace solar cap.



HOW TO INSTALL ON A STANDARD 4 X 4" VINYL POST

1. Hold the glass with one hand and twist the top counterclockwise and lift off.
2. Place the Post Cap on the adapter and secure with two screws into the small lower side screw openings.
3. Mount assembled Post Cap with base adapter onto post. Mark and if needed, pre-drill holes. Secure with included screws.
4. Pull tab out of battery compartment. Replace solar cap.



OPERATING YOUR SOLAR POST CAP LIGHTS

The Post Cap Lights turn on automatically when it becomes dark.

After you pull out the battery tab, if you want to test the light, you can cover the solar panel with your hand or paper and see if the light turns on.

Please call or email us with any questions: 703-495-0661 or infor@maxsainnovations.com

REPLACING THE BATTERIES

The included 3.2V AA Lithium-ion batteries should last for at least 2 years. Only replace the batteries with similar style AA Lithium-ion rechargeable batteries.

1. Carefully twist off the solar cap counterclockwise from the base.
2. Remove the battery compartment cover.
3. Carefully remove the battery.
4. Replace the battery with a new 3.2V 200 mAh AA Lithium-ion rechargeable battery.
5. Replace the battery compartment cover.
6. Replace the solar cap onto its base.

Caution: Dispose of Lithium-ion batteries properly. Never dispose of them in a fire.

MAINTENANCE

The LED lights in your Solar Post Cap Lights will last up to 30,000 hours and should never need replacement.

Keep your Solar Post Cap Lights looking new by wiping them occasionally with a dry cloth or with warm soapy water. Dirty solar panels prevent the batteries from charging well, shorten the life of the batteries, and may cause the lights to malfunction.

TROUBLESHOOTING

Light will not switch on.	<ul style="list-style-type: none">• Ensure that the battery has been fully charged in direct sunlight for a full sunny day. Artificial light will not charge the battery. Your light must charge in sunlight.• Check to see that the solar panel receives 6-8 hours of sunlight per day to allow the battery to charge fully.• Check to see that the Solar Post Cap light is not near nighttime light sources such as streetlights or porch lights.• Check and make sure the battery tab (under the cap) is pulled out and battery is in correct polarity and snugly.• Check the outside temperature. The light may not work well when temperatures are well below freezing. It will work when temperatures warm up.
Light turns on during the daytime	The photosensor may be covered or in shadow. Be sure nothing covers the Solar Post Cap Light so the photosensor can determine the proper time to turn the light on.
Light is not as bright as normal	Battery charge may be low. Check to make sure the solar panel is not covered and that the light is receiving 8 hours of sunlight. Give it a full sunny day to recharge.
Post is 6" or an odd shape	Maxsa can provide 6" adapters. Please contact us with the color and quantities needed at info@maxsainnovations.com

ONE YEAR LIMITED WARRANTY

1 YEAR LIMITED WARRANTY: MAXSA Innovations, LLC warrants to the original consumer/purchaser that this product shall be free of defects in material and workmanship under normal use and circumstances for a period of one (1) year from the date of original purchase for use. When the original consumer/purchaser returns the product pre-paid (consumer pays return shipping) to MAXSA Innovations, LLC, 8412 Cathedral Forest Dr; Fairfax Station, VA 22039; USA within the warranty period, and if the product is defective, MAXSA Innovations, LLC will at its option repair or replace such. This warranty shall constitute the sole liability of MAXSA Innovations, LLC concerning the product. MAXSA Innovations, LLC expressly disclaims all other warranties INCLUDING, WITHOUT LIMITATION, THE WARRANTIES OF MERCHANTABILITY AND FITNESS FOR A PARTICULAR PURPOSE. NO PERSON, FIRM, OR CORPORATION IS AUTHORIZED TO ASSUME FOR MAXSA Innovations, LLC ANY OTHER LIABILITY IN CONNECTION WITH THE SALE AND USE OF THE PRODUCT. MAXSA Innovations, LLC and agents and distributors will bear no liability whatsoever for incidental or consequential damages or charges of any kind. Some states do not allow the reclusion or limitation of incidental or consequential damages, so the above disclaimer regarding incidental or consequential damages may not apply to you. This warranty is void if the product has been damaged or tampered with or if the product or any such parts have been opened. In all cases of damage during shipment, a claim must be filed with the shipping carrier and not with MAXSA Innovations, LLC. This warranty gives you specific legal rights; you may also have other rights which vary from state to state.

SPECIFICATIONS

Model: 41481/41681/41781/41981

Lumens: 23 Lumens

Run Time: up to 8 Hours after 8 Hours of Sun

Light LEDs: 2 – Warm White

Solar Panel: 4V 60 mA

Included Batteries: 3.2V 200 mAh AA Lithium-ion

MADE IN CHINA

PLEASE SAVE THESE INSTRUCTIONS FOR FUTURE REFERENCE.



MAXSA Innovations, LLC
8412 Cathedral Forest Drive
Fairfax Station, VA 22039
Tel: 703-495-0661

www.maxsainnovations.com
info@maxsainnovations.com